

Coalescing Filter



- Extended high efficiency filter element provides greater filtration surface area.
- Integral 3/4" or 1" ports (BSPP & NPT)
- Removes liquid aerosols and sub micron particles
- Oil free air for critical applications, such as air gauging, pneumatic instrumentation and control
- Adsorber activated carbon element removes oil vapors and most hydrocarbons
- Robust but lightweight aluminum construction

Notes: To optimize the life of the coalescing element, it is advisable to install a P3YFA pre-filter with a 5 micron element upstream of the coalescing filter.

To optimize the life of the adsorber element, it is advisable to install a P3Y coalescing 0.01 micron filter upstream of the adsorber filter.

Options

P3YFA		9	6	D	SC	N
Basic series	Coalescing Filter P3YFA	Thread type*	Port size	Element	Drain type	
		BSPP 1	3/4 6	D 0.01 micron element with DPI standard	SC Combined manual / semi auto drain	
		NPT 9	1 8	C 0.01 micron element (without DPI optional)	SA Auto drain	
				A Adsorber		

* Note: For 1-1/2" ported unit, please order P3YKA*BCP port block kit separately.
Bold items are most common.

Ordering information

Port size	Description	Flow† scfm	Max. bar (psig)	Min temp °C (°F)	Max temp °C (°F)	Bowl capacity cm ³ (oz)	Height mm (inches)	Width mm (inches)	Depth mm (inches)	Weight kg (lb)	Part number†
3/4"	Coalescing filter 0.01 micron, combined manual / semi-auto drain	275	17.5 (254)	-10 (14)	60 (140)	130 (4.4)	340 (13.4)	90 (3.5)	94 (3.7)	1.6 (3.5)	P3YFA96DSCN
3/4"	Coalescing filter 0.01 micron, auto drain	275	17.5 (254)	-10 (14)	60 (140)	130 (4.4)	340 (13.4)	90 (3.5)	94 (3.7)	1.6 (3.5)	P3YFA96DSAN
1"	Coalescing filter 0.01 micron, combined manual / semi-auto drain	307	17.5 (254)	-10 (14)	60 (140)	130 (4.4)	340 (13.4)	90 (3.5)	94 (3.7)	1.6 (3.5)	P3YFA98DSCN
1"	Coalescing filter 0.01 micron, auto drain	307	17.5 (254)	-10 (14)	60 (140)	130 (4.4)	340 (13.4)	90 (3.5)	94 (3.7)	1.6 (3.5)	P3YFA98DSAN

† Standard part numbers shown in bold. For other models refer to Options chart above.

‡ Flow with 6.3 bar (91.4 psig) inlet pressure and 0.5 (7.3 psig) pressure drop.

Specifications

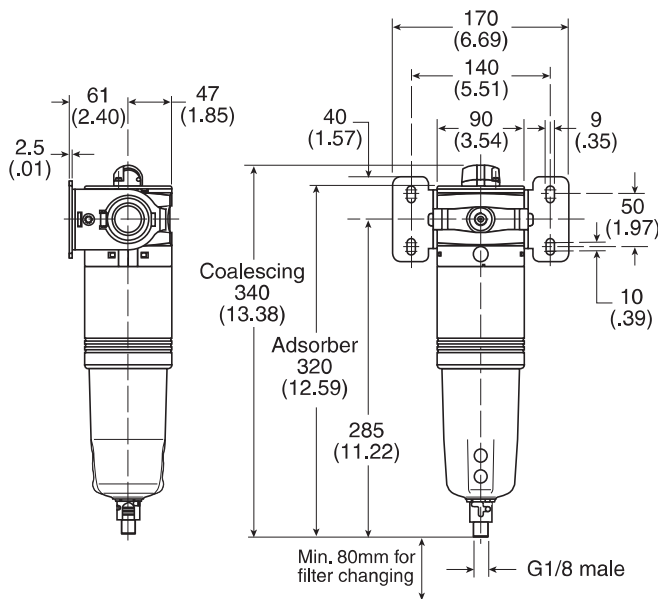
Fluid	Compressed air
Maximum inlet pressure*	17.5 bar (254 psig)
Temperature range*	-10°C to 60°C (14°F to 140°F)
Media specifications (Coalescer):	
Coalescing efficiency	99.97% (0.3 to 0.6 micron particles)
Max. oil carryover	0.008 mg/m ³
Typical flow element @ 0.01 micron element	
6.3 bar (91.4 psig) inlet pressure and 1" port	
0.5 bar (7.3 psig) pressure drop	307 scfm
Media specifications (Adsorber):	
Max. oil carryover (PPM w/w)	0.008 mg/m ³
Manual / semi-auto drain	Closed at 0.8 bar (11.6 psig) G1/8 thread male
Auto drain bowl pressure to close drain	0.8 bar (11.6 psig)
Operating range	0.8 bar (11.6 psig) to 17.5 bar (254 psig)
Operating range manual override facility	17.5 bar (254 psig)
Bowl capacity	130 cm ³ (4.4 US oz)

* Air supply must be dry enough to avoid ice formation at temperatures below 2°C (35.6°F).

Material specifications

Body	Aluminium
Sight glass and bowl	Polypropylene
Filter cover	ABS
Coalescing element	Borosilicate & nano fibers
Top & bottom end cap (Coalescing)	Aluminium
Adsorber element	Activated carbon
Top & bottom end cap (Adsorber)	Glass filled nylon
Support cylinders	Grade 430 stainless steel
Support media	Polypropylene
Anti re-entrainment barrier	Polyester
Encapsulation	Epoxy resin / hardener
Seals	Nitrile NBR
Drains	Manual / semi-auto: Acetal Automatic: PA / Ø 10mm brass connection
Differential pressure indicator	
Body	Acetal
Internal parts	Acetal
Spring	Stainless steel
Seals	Nitrile NBR
Support plate	ABS
Screws	Steel / zinc plated

Dimensions mm (inches)

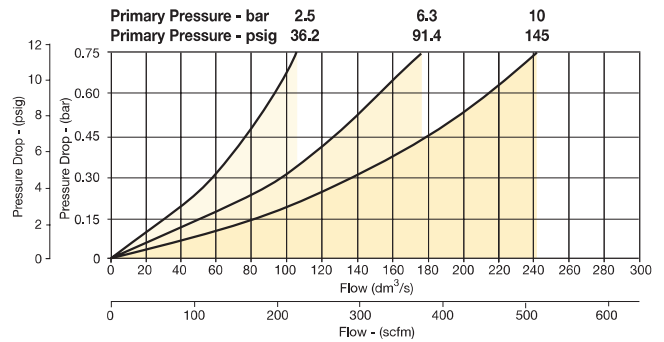


Service kits

Description	Part number
0.01 micron element kit	P3YKA00ESC
Adsorber element kit	P3YKA00ESA
Bowl kit with combined manual / semi auto drain	P3YKA00BSC
Bowl kit with auto drain	P3YKA00BSA
Differential pressure indicator kit	P3YKA00RQ

Flow characteristics

(3/4") 0.01 Micron Coalescing Filter Saturated



(1") 0.01 Micron Coalescing Filter Saturated

